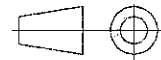
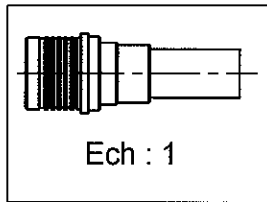
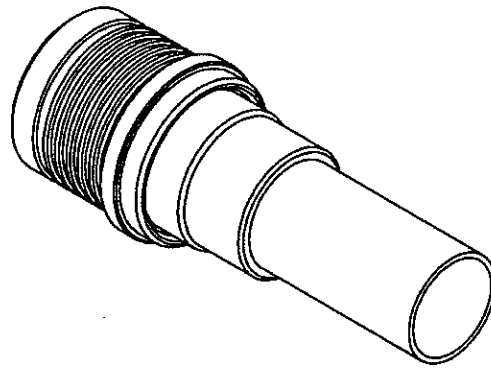
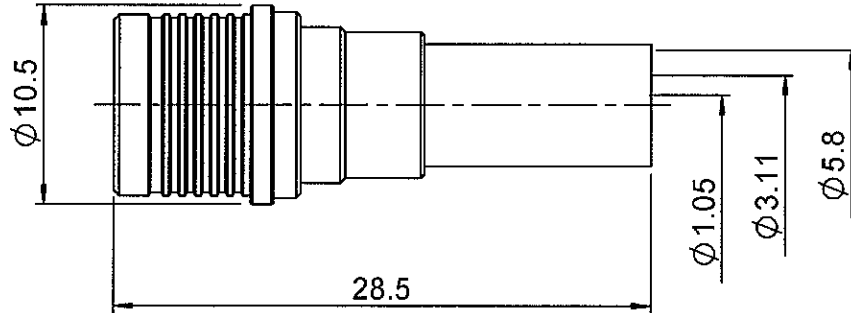


**STRAIGHT PLUG FULL CRIMP TYPE**

**R123.076.000**

**CABLE 5/50 D**

Series : QMA



All dimensions are in mm.

COMPONENTS	MATERIALS	PLATINGS (µm)
BODY	BRASS	BBR 2
CENTER CONTACT	BRASS	NPGR
OUTER CONTACT	BRASS	BBR 2
INSULATOR	PTFE	
GASKET	-	
OTHERS PARTS	BRASS	BBR 2
-	-	-
-	-	-

Issue : 0604 F

In the effort to improve our products, we reserve the right to make changes judged to be necessary.



**RADIALL**®

**STRAIGHT PLUG FULL CRIMP TYPE**

**R123.076.000**

**CABLE 5/50 D**

Series : QMA

**PACKAGING**

Standard	Unit	Other
100	'W' option	Contact us

**SPECIFICATION**

**CABLE ASSEMBLY**

Stripping	a	b	c	d	e	f
mm	3	6.3	10.8	0	7.8	0

**ELECTRICAL CHARACTERISTICS**

Impedance		<b>50</b> Ω
Frequency		<b>0-6</b> GHz
VSWR	+	<b>0</b> x F(GHz) Maxi
Insertion loss		<b>.05</b> √F(GHz) dB Maxi
RF leakage	- (	<b>80</b> - F(GHz)) dB Maxi
Voltage rating		<b>335</b> Veff Maxi
Dielectric withstanding voltage		<b>1000</b> Veff mini
Insulation resistance		<b>5000</b> MΩ mini

Assembly instruction : **Crimp 02**

Recommended cable(s)  
 RG 142  
 RG 142 FTX  
 KX 23  
 RG 400  
 RG 223

Characteristics indicated on this data sheet are those that can be achieved with the highest performance cable. Intrinsic limitations of the cable may diminish the performance of the assembly

Cable retention  
 - pull off **200** N mini  
 - torque **NA** N.cm

**MECHANICAL CHARACTERISTICS**

Center contact retention		
Axial force – Mating end	<b>18</b>	N mini
Axial force – Opposite end	<b>18</b>	N mini
Torque	<b>NA</b>	N.cm mini

Recommended torque		
Mating	<b>NA</b>	N.cm
Panel nut	<b>NA</b>	N.cm
Clamp nut	<b>NA</b>	N.cm
A/F clamp nut	<b>0</b>	mm

Mating life	<b>100</b>	Cycles mini
Weight	<b>6.31</b>	g

**TOOLING**

Part Number	Description	Hexagon
.	.	.
R282.223.000	CRIMPING TOOL	5.41
R282.235.011	CRIMPING DIES	5.41
R282.281.000	CRIMPING TOOL	2x4 (pos.7)
R282.293.000	CRIMPING TOOL	
R282.967.015	POSITIONER FOR CRIMPING TOOL	
R299.511.016	STRIPPING CASSETTE .059/.248	denudage B, E

**ENVIRONMENTAL**

Operating temperature	<b>-40/+80</b>	° C
Hermetic seal	<b>NA</b>	Atm.cm3/s
Panel leakage	<b>NA</b>	

**OTHERS CHARACTERISTICS**

VSWR : 1.12 max from 0 to 3GHz  
 Intermod.: -120 dBc at 1.8GHz (2x20W)  
 RF leakage(interf.): 3<F<6GHz: >70dB

Issue : 0604 F

In the effort to improve our products, we reserve the right to make changes judged to be necessary.

